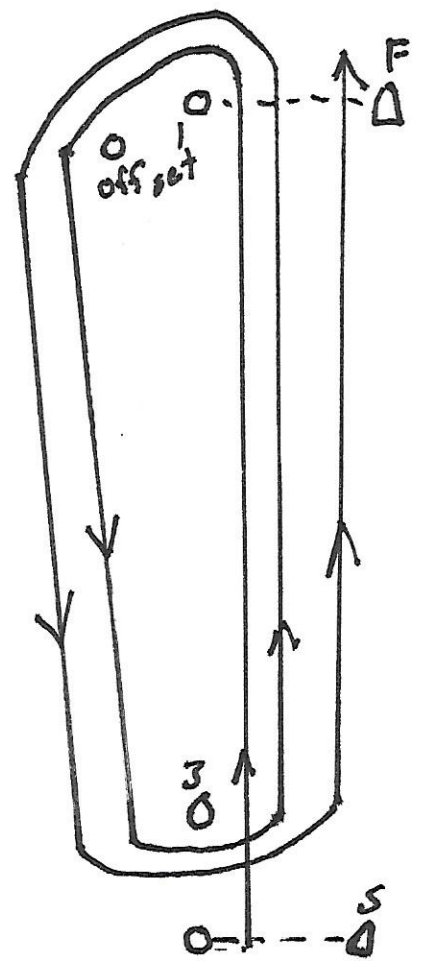
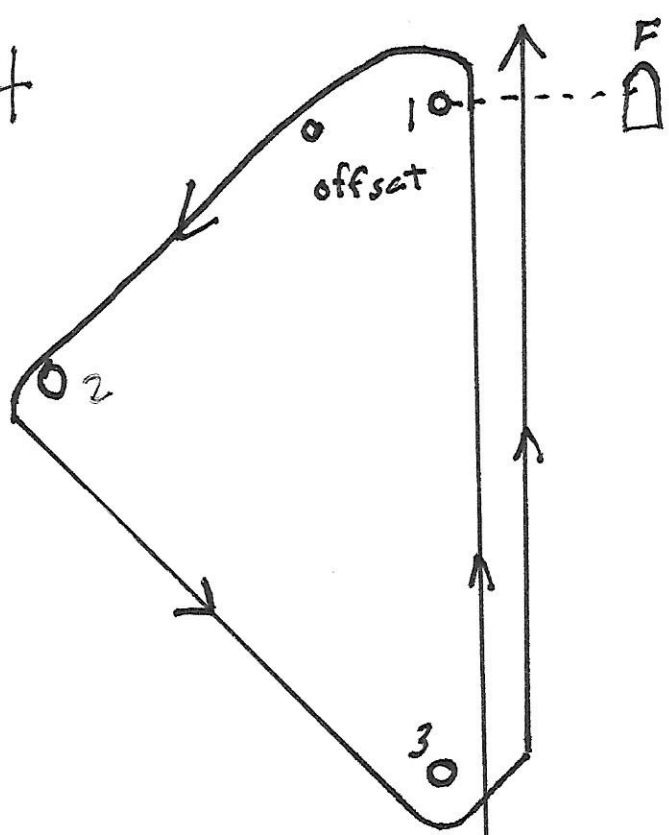


W3

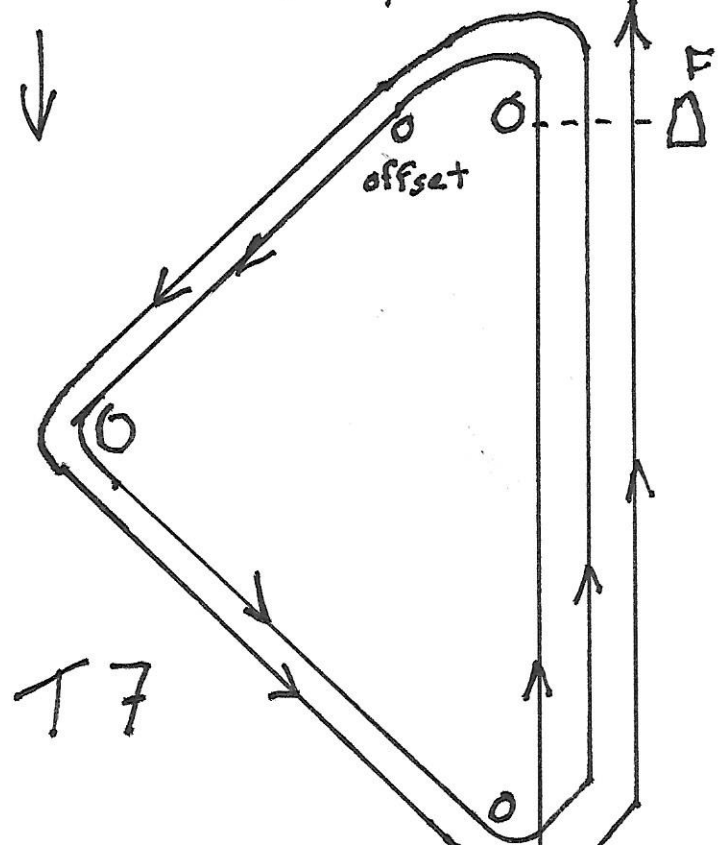


W5

J70 • Spinnaker courses July 31
 Non Spinnaker courses July 31



T4



T7